

Nikoline Fall Protection



Fall Arrest Protection Systems by H.S.I.

NikoLine Fall Protection Systems provide a very safe and practical safety system for people working at height. According to OSHA a fall protection system is designed to arrest or prevent falls from a height. OSHA standards state that any time a worker is at a height of four feet or more, the worker is at risk and needs to be protected. Fall protection must be provided at four feet in general industry, five feet in maritime and six feet in construction. However, regardless of the fall distance, fall protection must be provided when working over dangerous equipment and machinery. The US Department of Labor (DOL) lists falls as one of the leading causes of traumatic occupational death, accounting for eight percent of all occupational fatalities from trauma.



Types of System

- Single rail fall arrest track system
- Double rail fall arrest track system
- Bridge crane fall arrest track system

Applications

- Aircraft service and maintenance
- Safety track for high ropes courses
- Coach service and maintenance
- Sky glide track for soft play areas
- Train service and maintenance

Benefits

Advantages of NikoLine Fall Protection Track vs Taut Wire Fall Protection System

- There is less distance to fall with NikoLine fall protection track and therefore less impact on the body
- No bouncing effect, which can cause injury on secondary falls
- Multiple person systems are safer with NikoTrack fall protection track. One person falling on a taut wire fall protection systems can cause other users to fall
- Following a fall the Niko fall protection track can be re-used immediately after passing a visual inspection. Taut wire systems need to be completely replaced
- The tapered edge design of the NikoLine fall protection track achieves very free running movement and eliminates snag effect
- Its modular design means that the NikoTrack fall protection track systems can be easily moved, added to and changed after installation
- NikoLine fall protection track offers solutions that enable operators to pass each other without detaching themselves from the system
- No length-limit of distance of NikoTrack fall protection track systems
- NikoLine Fall Protection Systems offer very little interference with workers tasks or activities and will easily/naturally move with the worker
- Because of NikoLines self aligning trolleys, the safety tether will remain directly above the user, therefore eliminating the possibility of a swing fall
- Because of the enclosed track design, NikoLine systems are not susceptible to snow, ice, or debris, which allows for year round use of the system

Nikoline Fall Protection



Fall Arrest Protection Systems by H.S.I.

Features

ENCLOSED TRACK

Because NikoLines fall protection systems are in an enclosed track the hassle of debris jamming the run of the system are completely eliminated. This means that the systems are essentially immune to the elements, allowing for use in any weather condition from blizzard to monsoon. Using a NikoLine system will enable the user to operate the system year round.

TAPERED TRACK

The tapered edges of NikoLines Fall Protection systems ensure that the load carrying trolleys run smoothly, meaning that the trolley will always be directly above the user, eliminating the dangers of "swing falls." Also, because they are self aligning, trolleys will always run smoothly and won't jam, even on turns.

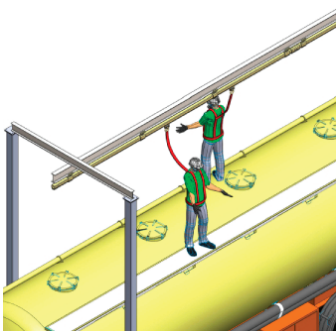
RELIABLE & REUSABLE

When a fall occurs on a taut-wire system it must be taken out of service temporarily until it has been repaired. Most safety cable system manufacturer's repair procedures require temporary dismantling of the system while a factory-trained professional replaces virtually all of the costly damaged parts. This is not an issue with NikoLines systems! After a fall a quick visual inspection on the system should be done and upon completion the system can be used again immediately.

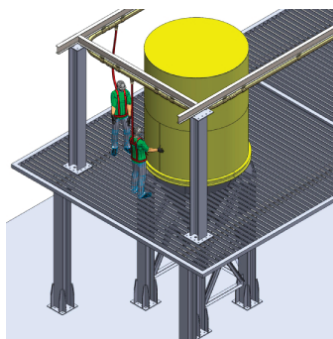
URNS & SWITCHES

By combining the turns and switches of our conveyors with the versatility and reliability of the fall protection, NikoLine has created an ideal solution to taut-wire systems used on challenge courses. These systems have been installed on many pre-existing ropes courses and have greatly increased the overall experience for users as well as creating a safer environment. User are no longer hindered by slow moving trolleys, endangered by secondary falls or wire transfer, and can use the system throughout the year.

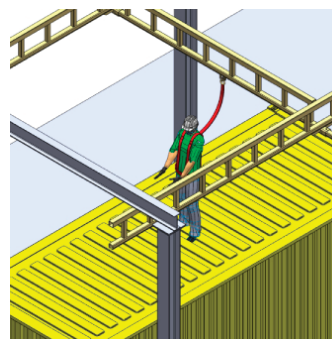
Product Variations



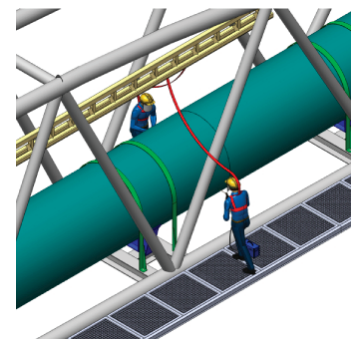
Monorail Fall Arrest System



Fall Arrest Track Bend System



Fall Arrest Workstation Crane



Dual Reinforced Track Fall Arrest System